

Taylor Pea Sheller Model 675

THE PROVEN PEA SHELLER

Order yours today
from the Top Dealer!

855Sheller.com

855-743-5537



MODEL 675 DELUXE "Little Sheller"
with full covered belt guard and
detachable front for easy cleaning

The machine shown above is the improved model of the famous "Little Sheller". It is excellent for shelling green peas such as, Black-eyes, Crowder, Lady Fingers, White Acres, English Peas, and many others. As stated by many of our customers, it will also shell mature Butterbeans. On average, the "Little Sheller" will shell a bushel in about 15 minutes depending on size and type of pea. The "Little Sheller" is very easy to operate, simply place peas in the top tray and hand feed to the rollers. The shelled peas drop into the plastic receiving pan and the hulls are discharged out the front of the machine. Slight adjustments to the rollers allow you to shell small to large peas. This machine, that was designed for light commercial use, has become a favorite for home use as well. The "Little Sheller" is so durable that many of the machines we built, when we began manufacturing, are still in use today.

OUR CUSTOMERS ARE AMAZED BY THE "LITTLE SHELLER"

"I must write to tell you what a joy it is to buy a product that operates smooth and efficient as is advertised. Your "Little Sheller" excels far beyond our expectations and what a delight."

— James Wilson, Longview, TX

"I like it mighty well. I and one more boy put 8 bushels of peas through the sheller in 58 minutes by the watch.

— M. E. Disotell, Shongaloo LA

"... it is an almost perfect machine."

— John L. Green, Nintey-Six, SC

"it is great, just finished shelling 30 bushels of peas. It is good for butterbeans, too"

— Woodrow H. Hopkins, Soperton, GA

"My pea sheller is the BEST I've ever seen."

— L.D. Yancery, Neches, TX

ACTUAL TEST RUN BY ONE OF ATLANTA'S CHAIN STORES

BU	TYPE	HULL WT	SHELLED WT
6	WHITE BUTTERBEANS	178 LBS 11 OZ	69 LBS 3 OZ
3	COLORED BUTTERBEANS	96 LBS	40 LBS 6 OZ
6	BLACK EYE PEA	152 LBS	78 LBS
6	LADY FINGERS	136 LBS 2 OZ	79 LBS 1 OZ
12	SMALL CROWDERS	295 LBS 8 OZ	176 LBS 3 OZ

QUALITY COMPONENTS AND SPECIFICATIONS

- **MOTOR:** Top Quality 1/3 HP 115 Volt 60 Hz
- **SWITCH:** On/Off toggle, motor grounded
- **CORD:** 8 Ft Heavy duty with ground
- **ROLLERS:** Special patented design made of nontoxic neoprene molded to reinforced steel shaft
- **ROLLERS BARINGS:** Designed especially for the "Little Sheller" from high Tensile strength material for long wear
- **PULLEYS:** Aluminum die cast
- **DRIVE BELT:** Heavy duty V-belt for long life
- **GEARS:** High Tensile strength steel for long wear
- **FRAME:** Heavy all aluminum construction designed to provide rigidity and longer service
- **GUARDS:** Adjustable finger guard, outside guard, and Belt guard
- **RECEIVING PAN:** 10 qt. Removable plastic
- **WEIGHT:** 35 Lbs
- **DIMENSIONS:** 14 Inches High, 16 1/2 Inches Wide and 27 1/2 Inches Long
- **SHELLING SPEED (AVG):** Large peas 10-14 min., Medium peas 12-15 min., Small peas 15-20 min.
- **WARRANTY:** 1 YEAR from date of original invoice

855SHELLER.COM *

855-743-5537

"LITTLE SHELLER" OPERATING INSTRUCTIONS

ALL OPERATORS SHOULD READ INSTRUCTIONS COMPLETELY BEFORE SHELLING

- BELT AND ROLLER GUARDS SHOULD BE USED ON ALL MODELS AT ALL TIMES
- ALWAYS SWITCH MACHINE OFF AND DISCONNECT FROM POWER BEFORE MAKING ANY ADJUSTMENTS TO ROLLERS OR GUARDS
- ADJUST YOUR INSIDE ROLLER GUARD ALLOWING ONLY ENOUGH CLEARANCE FOR THE SIZE OF PEAS OR BEANS BEING SHELLED
- NEVER PUT FINGERS UNDER GUARDS
- ALWAYS KEEP BELT GUARD HOOD DOWN WITH SAFETY SCREW INSTALLED WHEN MACHINE IS CONNECTED TO POWER SOURCE
- ALWAYS MAKE SURE MOTOR SWITCH IS OFF BEFORE CONNECTING TO POWER SOURCE
- NEVER CONNECT TO UNGROUNDED POWER SOURCE
- NEVER ALLOW WATER TO GET IN MOTOR

ROLLER ADJUSTMENT: IN GENERAL, IF YOUR ROLLERS ARE TO CLOSE TOGETHER THE SHELLER WILL NOT ACCEPT PODS AND ROLLERS TOO FAR APART WILL MASH PEAS OR BEANS. THEREFORE, YOU WANT YOUR ROLLERS AS CLOSE TOGETHER AS POSSIBLE AND STILL ACCEPT PODS. We suggest using the following procedure to find where your rollers should be adjusted for the peas or beans you are going to shell. First make sure your machine is turned off and disconnected from power source. Facing the front of the machine, loosen the two screws on the top of the angle crossbar above the rollers and remove the outside roller guard. This will allow you to see the rollers and the clearance between them. Next, loosen the wing nuts on the front of the top bearing blocks just enough to allow up and down movement of the top roller. Now, on the pulley side, turn the 1/4 machine screw above the bearing block, counter clockwise to raise the top roller on that side to a clearance of approximately the thickness of a nickel. Lower the roller on the gear side until the rollers just touch by turning the 1/4 inch machine screw on that side clockwise and then retighten the wing nuts. Reinstall the outside roller guard and check clearance adjustment of inside guard. Now, you can connect power and turn the machine on. Shell a few pods starting on the gear side moving gradually to the right until you find the location where your peas or beans shell best (see SHELLING information below). Next, switch machine off, disconnect from power source, remove the outside guard again and readjust rollers to the approximate clearance of your noted location for the entire length of the rollers. After replacing the outside roller guard and reconnecting to power source, you are ready to begin shelling. Some very slight roller adjustments up or down may still be necessary.

SHELLING: After checking to make sure that all your guards are installed and adjusted properly. Make sure receiving pan is under the pea shoot by lifting the back of the pan and sliding it under the lip of the shoot. Now, connect to power and turn machine on. Place about 1/4 bushel of pods onto the back portion of the top pan and feed the pods into the rollers by spreading your hand flat over the pods and with the side of your hand gently push them under the inside roller guard several

pods at a time, tip or bud end first (**CAUTION: DO NOT PUT FINGERS UNDER GUARDS**). Occasionally, switch off sheller, disconnect power then wipe off the pith which collects on the metal wiper below the bottom roller; this keeps the bottom roller from becoming too slick to receive and twist open the pods. This residue is a not usually mashed pea, but the pith part of the hulls. You will ordinarily have no problem shelling peas or beans right out of the field. However, if you should encounter some difficulty it may be necessary to loosen the pith around the peas or beans before shelling. Picking your peas or beans one day and shelling the next can usually accomplish this; but when you must shell the same day, wet or dip pods in water just before shelling. It is not necessary to dry pods; the moisture will help wash the slick pith from the rollers. If you find it necessary to store your peas or beans in a cooler, allow them to return to room temperature before shelling. Occasionally while shelling, there may be black streaks down the front of the machine that are caused by the coloring in the neoprene rollers, this substance is non toxic and removes easier while moist. **NOTE 1:** The bottom roller should just clear the front metal wiper by 1/16 inch or less, too much gap here will allow pith into pea receiving pan instead of collecting outside on the wiper. **NOTE 2:** You should always wash peas or beans thoroughly after shelling.

BEARINGS: There are two oil ports located in the front of each roller shaft bearing block and should be oiled with light mineral oil at the end of each shelling day and once or twice a day when in constant use.

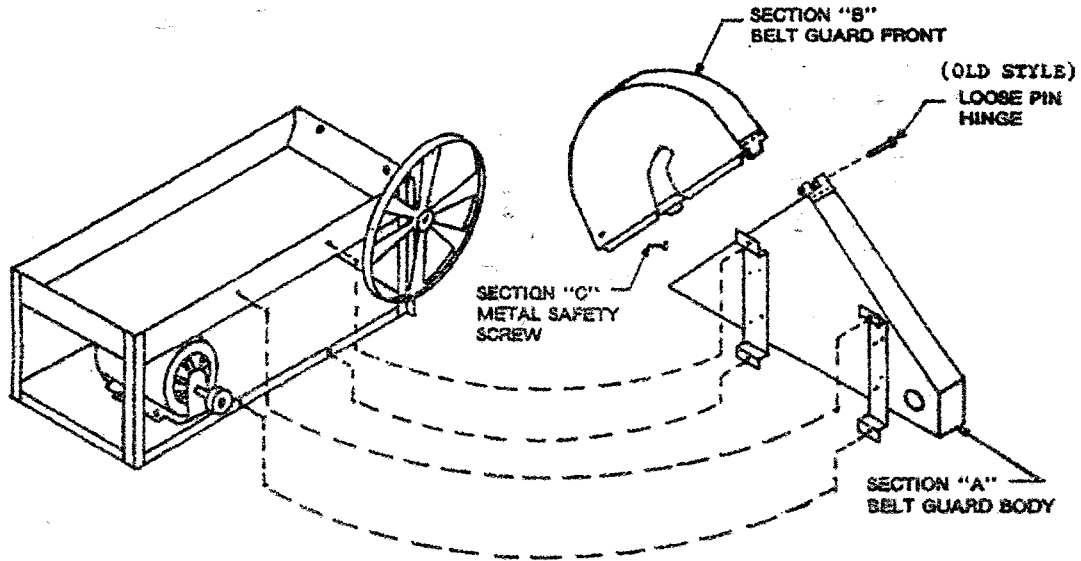
BELT ADJUSTMENT: Belt should be kept fairly loose; an adjustment too tight will cause excess wear on your roller and motor bearings. To adjust belt, loosen motor bolts and slide motor forward or back depending on adjustment needed and retighten bolts.

MOTOR: The motor is equipped with an approved ground cord; never connect to ungrounded power source. Please make sure your ground is connected to meet your local wiring code. Oil motor with a few drops of lightweight oil approximately twice each season for motors equipped with oil ports (small hole, caps or plugs located just above motor shaft on each end of motor). Motors without oil ports have sealed bearings and do not require oiling.

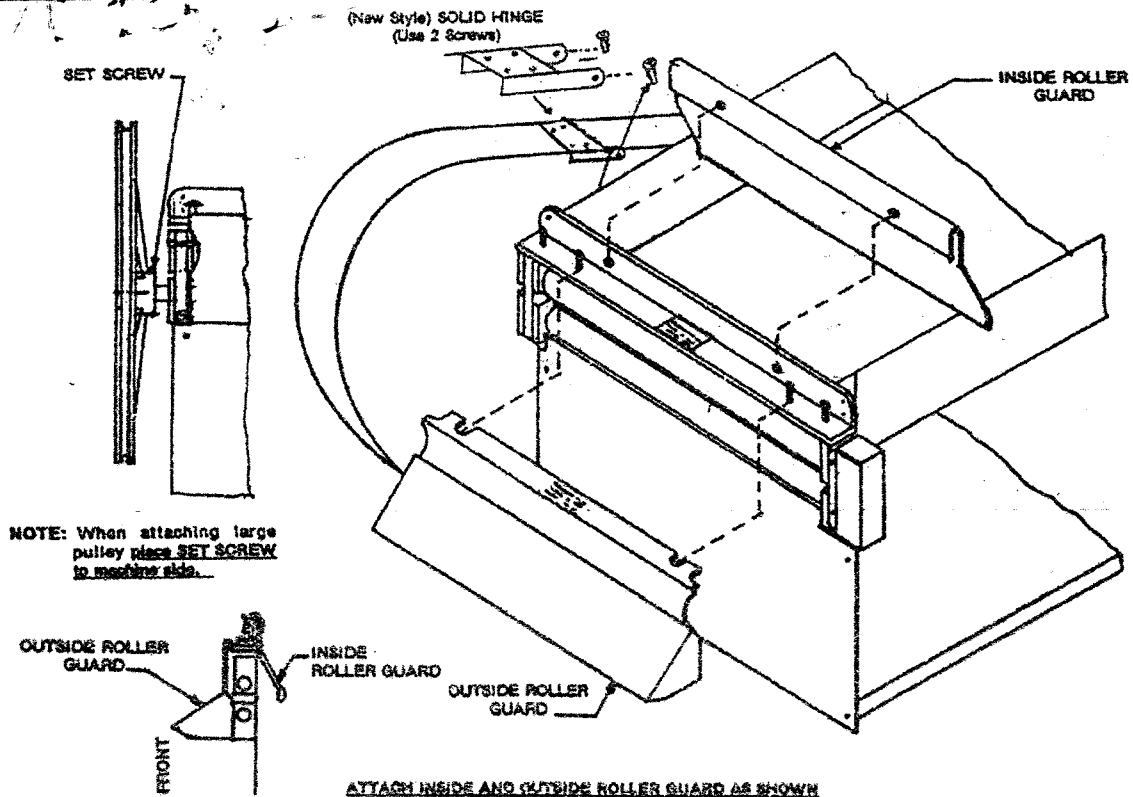
CLEANING: Turn switch to off and disconnect from power source. Remove outside and inside roller guards, then open the rounded belt guard hood and roll belt off the large roller shaft pulley. Standing in front of the machine you can remove the front assembly by loosening the wing nuts on each side of machine, then lift up on the angle crossbar and pull the front toward you. Now, the machine can easily be wiped out with mild soap and water (**CAUTION: DO NOT GET WATER IN MOTOR**). The front assembly can be washed off with a water hose or in the kitchen sink. After cleaning, replace your front assembly and guards. Always allow machine to completely dry before reconnecting to power source. We suggest after clean up that you re-oil roller bearings and run the machine for a few seconds to prevent rusting of your roller shafts.

STORAGE: Be sure your "Little Sheller" has been cleaned and bearings oiled before putting into storage. When storing machine for the off season we suggest you slide your machine into a large plastic trash bag to help protect it from dust, dirt, bugs, rodents, etc. When removing from storage, always clean the machine thoroughly, re-oil bearings and re-grease gears with non-toxic food grade lubricants.

ASSEMBLY INSTRUCTIONS



- A. To attach belt guard cover to machine, insert the four (4) 1/4 inch machine bolts (These bolts and nuts are already located on machine); detach and reinstall bolts through support angles and holes on upper and lower frame tray as shown.
- B. To attach Section "A" to Section "B", insert loose pin hinge. Be sure slotted section is to the machine side.
- C. For additional safety, insert metal screw (Section "C") for permanently attaching Section "A" to Section "B."



WARNING

KEEP FINGERS AND HAIR FROM UNDER ROLLER GUARDS.
ADJUST ALL GUARDS PROPERLY BEFORE OPERATING.

TAYLOR MANUFACTURING COMPANY INC.

128 TALMADGE DRIVE

MOULTRIE, GA 31768

855SHELLER.COM * 855-743-5537